

Flexible

DUO Luna RGB Fixture Guide

KKDÖ

Indoor/Outdoor | Surface | RGB output

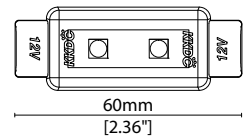
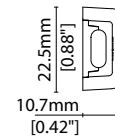


Key applications

- ✓ Architectural detail
- ✓ Backlighting/Signage
- ✓ Bathrooms
- ✓ Building façades
- ✓ Cove lighting
- ✓ Indirect lighting
- ✓ Interior/Exterior
- ✓ Mirror back lighting
- ✓ Special effect
- ✓ Swimming pools
- ✓ Under bench
- ✓ Under cabinet

Key features

- ✓ Custom lengths
- ✓ Diffusion: Spotting
- ✓ Extensive CCT range
- ✓ Flexible
- ✓ Form factor: Small
- ✓ IP40
- ✓ IP65
- ✓ IP68
- ✓ RGB
- ✓ Submersible



Flexible

DUO Luna RGB

Specification sheet

KKDC



Dimensions	H10.7/W22.5/L60mm (H0.42/W0.88/L2.36in) (9/13 modules per metre)
PCB Cut-point	111/77mm (4.37/3.03in)
LED Pitch	-
Chip	RGB
Cover/Optics	Clear (105°)
CCT	Red 620-625nm/Blue 455-460nm/Green 520-525nm
LED binning	5nm tolerance
CRI	N/A
Lifetime	50,000 hours @ 25°C (50,000 hours @ 77°F)
Operating temp	IP40: $T_a = -25$ to 50°C ($T_c \text{ max} = 65^\circ\text{C}$) $T_a = -13$ to 122°F ($T_c \text{ max} = 149^\circ\text{F}$) IP65: $T_a = -25$ to 50°C ($T_c \text{ max} = 65^\circ\text{C}$) $T_a = -13$ to 122°F ($T_c \text{ max} = 149^\circ\text{F}$) IP68: $T_a = -25$ to 50°C ($T_c \text{ max} = 65^\circ\text{C}$) $T_a = -13$ to 122°F ($T_c \text{ max} = 149^\circ\text{F}$)
IP Rating	IP40/IP65/IP68
Finish	Polycarbonate
Mounting	3M adhesive tape (IP40/65), Screw fixing (IP68)
Power feed	Sheathed hardwire single/double ended sheathed tail
Control	DMX/DALI



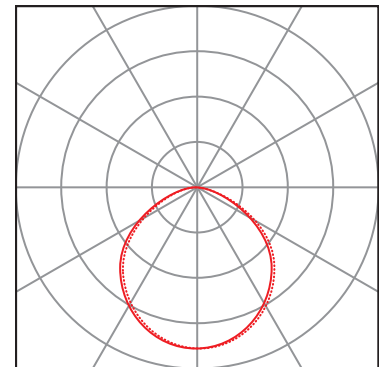
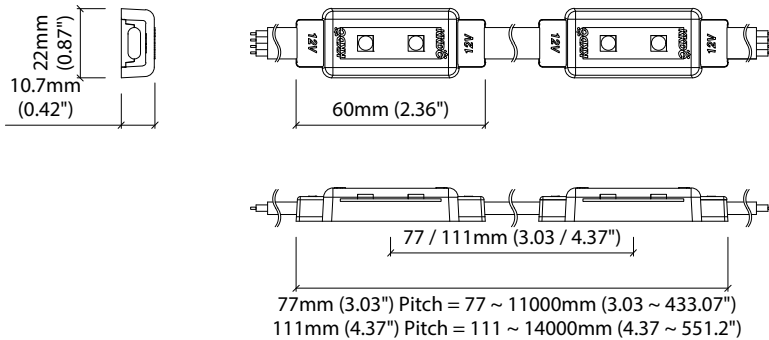
Supply voltage	Modules per metre	Power consumption	Supply current
12V DC	13 modules (77mm pitch)	7.8W/m (2.38W/ft)	0.65A/m (0.20A/ft)
12V DC	9 modules (111mm pitch)	5.4W/m (1.65W/ft)	0.45A/m (0.14A/ft)

Clear Cover (9 modules)

Red: 26lm/m (8lm/ft)
 Green: 75lm/m (23lm/ft)
 Blue: 11lm/m (3lm/ft)
 RGB: 106lm/m (32lm/ft)

Clear Cover (13 modules)

Red: 41lm/m (12lm/ft)
 Green: 117lm/m (36lm/ft)
 Blue: 17lm/m (5lm/ft)
 RGB: 163lm/m (50lm/ft)



Clear Cover
 — C0 / C180 cd / 1000 lm C90 / C270

Data derived from independent UKAS / IESNA LM-79-08 accredited testing of production samples.

Flexible

DUO Luna RGB

Code Table

KKDC

FIXTURE

Model	Grade	LED	Colour (CCT)	Length Availability ¹			IP		Cable Length		Power Feed ²		Module Pitch		Input			
DUO Luna	DL	s	202	RGB	RGB	111mm pitch	m	111-14000mm	IP40	40	100mm/3.94in	0100	Single Luna- RGB (4P) tail	S00D	77mm/3.03in ³	0077	DC 12V	f
						77mm pitch	m	77-11000mm	IP65	65	1000mm/39.37in	1000			111mm/4.37in ⁴	0111		
						4.37in pitch	i	4.37-551.2in	IP68	68			Double Luna- RGB (4P) tail	D00D				
						3.03in pitch	i	3.03-433.07in										
(Specify length code OR total run length)																		

¹ Refer to **Length Availability List** or enter total run length instead of length code

² Refer to **Power Feed Options** on **Options** pages

³ 13 modules per metre @ 77mm/3.03in pitch

⁴ 9 modules per metre @ 111mm/4.37in pitch

Code Example:

DL	-	s	-	202	-	RGB	-	m	-	1000	-	65	-	1000	-	D00D	-	0077	-	f
DUO Luna				Luna RGB		RGB				1000mm		IP65		1000mm/39.37in		Double Luna-RGB (4P) tail		77mm/3.03in		DC 12V

ACCESSORIES

PSU/Driver

DALI/DMX

* Refer to **Driver/PSU Options** page for details or provide requirement and KKDC to offer the suitable option

LED ENGINE VARIANTS (LED STRIP TYPE)

Luminaire	LED	Lumen/m	Lumen/ft	W/m	W/ft	Spec Doc	Length
DUO Luna	204	460	140	7	2.13	DUO Luna	111-14000mm (4.37-551.2in) 111mm (4.37in) pitch
DUO Luna RGB	202	Red 41 Green 117 Blue 17 RGB 163	Red 12 Green 36 Blue 5 RGB 50	7.8	2.37	DUO Luna RGB	77-11000mm (3.03-433.07in) 77mm (3.03in) pitch

* Performance data: clear cover, 13 Modules (77mm/3.03in pitch), RGB

Flexible

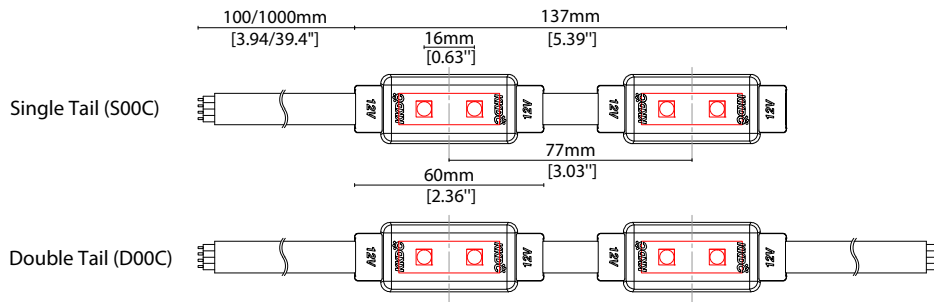
DUO Luna RGB (77mm)

Length Availability List

KKDC

Length Code		Fixture Length ¹		LED Modules	End Cap Dimension		Wattage (W)	Output (lm)			
Metric	Imperial(US)	Metric	Imperial(US)	Quantity	Metric	Imperial(US)		R	G	B	W
m0060	i0002	60mm	2.36in	1ea	N/A	N/A	0.54	3	9	1	13
m0137	i0005	137mm	5.39in	2ea	N/A	N/A	1.08	6	18	3	25
m0214	i0008	214mm	8.43in	3ea	N/A	N/A	1.62	9	27	4	38
m0291	i0011	291mm	11.46in	4ea	N/A	N/A	2.16	13	36	5	50
m0368	i0014	368mm	14.49in	5ea	N/A	N/A	2.70	16	45	7	63
m0445	i0018	445mm	17.52in	6ea	N/A	N/A	3.24	19	54	8	75
m0522	i0021	522mm	20.55in	7ea	N/A	N/A	3.78	22	63	9	88
m0599	i0024	599mm	23.58in	8ea	N/A	N/A	4.32	25	72	10	100
m0676	i0027	676mm	26.61in	9ea	N/A	N/A	4.86	28	81	12	113
m0753	i0030	753mm	29.65in	10ea	N/A	N/A	5.40	32	90	13	125
m0830	i0033	830mm	32.68in	11ea	N/A	N/A	5.94	35	99	14	138
m0907	i0036	907mm	35.71in	12ea	N/A	N/A	6.48	38	108	16	150
m0984	i0039	984mm	38.74in	13ea	N/A	N/A	7.02	41	117	17	163
m1061	i0042	1061mm	41.77in	14ea	N/A	N/A	7.56	26	75	11	106
m1138	i0045	1138mm	44.80in	15ea	N/A	N/A	8.10	47	135	20	188
m1215	i0048	1215mm	47.83in	16ea	N/A	N/A	8.64	50	144	21	201
m1292	i0051	1292mm	50.87in	17ea	N/A	N/A	9.18	54	153	22	213
m1369	i0054	1369mm	53.90in	18ea	N/A	N/A	9.72	57	162	24	226
m1446	i0057	1446mm	56.93in	19ea	N/A	N/A	10.26	60	171	25	238
m1523	i0060	1523mm	59.96in	20ea	N/A	N/A	10.80	63	180	26	251
m1600	i0063	1600mm	62.99in	21ea	N/A	N/A	11.34	66	189	27	263
m1677	i0066	1677mm	66.02in	22ea	N/A	N/A	11.88	69	198	29	276
m1754	i0069	1754mm	69.06in	23ea	N/A	N/A	12.42	73	207	30	288
m1831	i0072	1831mm	72.09in	24ea	N/A	N/A	12.96	76	216	31	301

¹ Fixture length excludes power feed tail/s (100 or 1000mm / Single or Double Ended). The maximum length continues up to 10,994mm/443in (143 LED modules Max.) in 77mm increments



Flexible

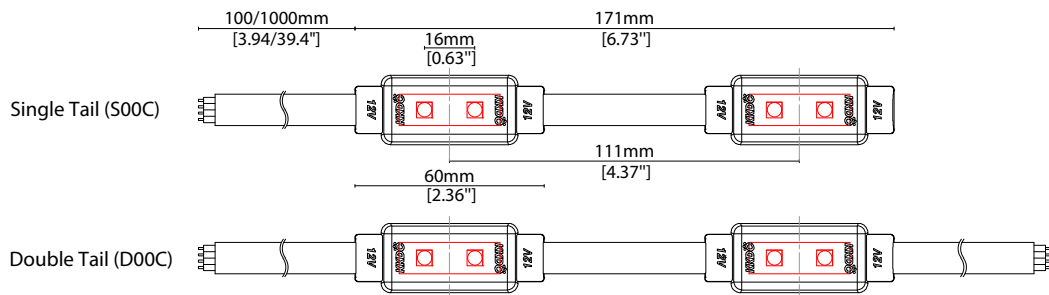
DUO Luna RGB (111mm)

Length Availability List

KKDC

Length Code		Fixture Length ¹		LED Modules	End Cap Dimension		Wattage (W)	Output (lm)			
Metric	Imperial(US)	Metric	Imperial(US)	Quantity	Metric	Imperial(US)		R	G	B	W
m0060	i0002	60mm	2.36in	1ea	N/A	N/A	0.60	3	8	1	12
m0171	i0007	171mm	6.73in	2ea	N/A	N/A	1.20	6	17	2	24
m0282	i0011	282mm	11.10in	3ea	N/A	N/A	1.80	9	25	4	35
m0393	i0015	393mm	15.47in	4ea	N/A	N/A	2.40	12	33	5	47
m0504	i0020	504mm	19.84in	5ea	N/A	N/A	3.00	14	42	6	59
m0615	i0024	615mm	24.21in	6ea	N/A	N/A	3.60	17	50	7	71
m0726	i0029	726mm	28.58in	7ea	N/A	N/A	4.20	20	58	9	82
m0837	i0033	837mm	32.95in	8ea	N/A	N/A	4.80	23	67	10	94
m0948	i0037	948mm	37.32in	9ea	N/A	N/A	5.40	26	75	11	106
m1059	i0042	1059mm	41.69in	10ea	N/A	N/A	6.00	41	117	17	163
m1170	i0046	1170mm	46.06in	11ea	N/A	N/A	6.60	32	92	13	130
m1281	i0050	1281mm	50.43in	12ea	N/A	N/A	7.20	35	100	15	141
m1392	i0055	1392mm	54.80in	13ea	N/A	N/A	7.80	38	108	16	153
m1503	i0059	1503mm	59.17in	14ea	N/A	N/A	8.40	40	117	17	165
m1614	i0064	1614mm	63.54in	15ea	N/A	N/A	9.00	43	125	18	177
m1725	i0068	1725mm	67.91in	16ea	N/A	N/A	9.60	46	133	20	188
m1836	i0072	1836mm	72.28in	17ea	N/A	N/A	10.20	49	142	21	200
m1947	i0077	1947mm	76.65in	18ea	N/A	N/A	10.80	52	150	22	212
m2058	i0081	2058mm	81.02in	19ea	N/A	N/A	11.40	55	158	23	224
m2169	i0085	2169mm	85.39in	20ea	N/A	N/A	12.00	58	167	24	236
m2280	i0090	2280mm	89.76in	21ea	N/A	N/A	12.60	61	175	26	247
m2391	i0094	2391mm	94.13in	22ea	N/A	N/A	13.20	64	183	27	259
m2502	i0099	2502mm	98.50in	23ea	N/A	N/A	13.80	66	192	28	271
m2613	i0103	2613mm	102.87in	24ea	N/A	N/A	14.40	69	200	29	283

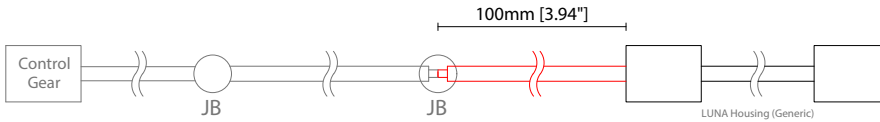
¹ Fixture length excludes power feed tail/s (100 or 1000mm / Single or Double Ended). The maximum length continues up to 13,935mm/551in (126 LED modules Max.) in 111mm increments



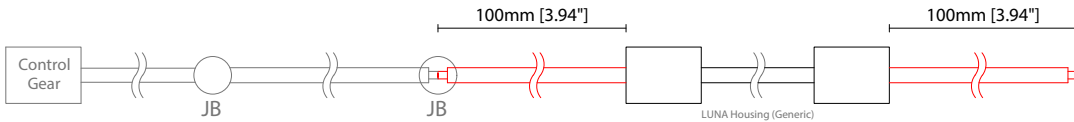
POWER FEED OPTIONS

* Options are an integral part of the fixture ordering codes. Please refer to **Code Table** pages.

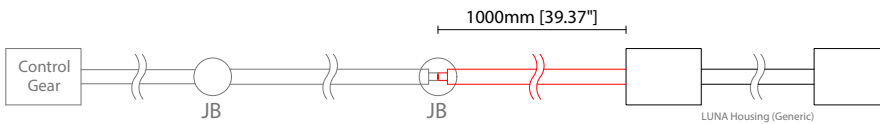
0100 S00D 100mm (3.94") Single Luna-RGB (4P) tail



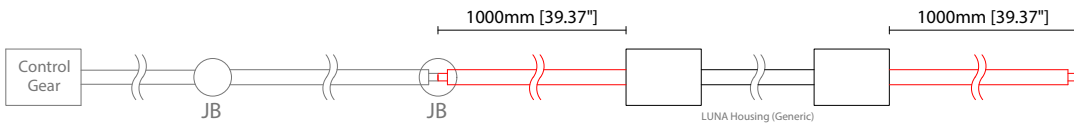
0100 D00D 100mm (3.94") Double Luna-RGB (4P) tail



1000 S00D 1000mm (39.37") Single Luna-RGB (4P) tail



1000 D00D 1000mm (39.37") Double Luna-RGB (4P) tail



Key

Control Gear Power supply, sub-controllers & control systems
 JB Junction box / cable connection

Flexible

DUO Luna RGB Accessories

KKDC

KKDC CONTROL



IP20
Plastic housing
L170/W59/H29mm
(L6.69/W2.32/H1.14in)

KKDM-06 1-10V

visDIM dimmable sub-controller
(4 x 8A max @ 12-36V)



IP20
Plastic housing
L170/W53.4/H28mm
(L6.69/W2.10/H1.10in)

KKSC-05 DMX

visDIM dimmable sub-controller
(4 x 5A max @ 12-36V)



IP20
Plastic housing
L170/W59/H29mm
(L6.69/W2.32/H1.14in)

KKDL-02 DALI

visDIM dimmable sub-controller
(4 x 8A max @ 12-36V)



IP20
Plastic housing
L166/W53.4/H23mm
(L6.54/W2.10/H0.91in)

KKDL-03 DALI

visDIM dimmable sub-controller
(4 x 5A max @ 12-36V)

AVAILABLE PSU OPTIONS

Control Mode	PSU (Order Code)	Input Voltage AC	Output Voltage DC	Rated Output Current	Rated Power	Dim %	IP Rating
Switched	CEN-60-12	90-295V	12V	5.0A	60W	-	IP67
	HLG-80H-12	90-305V	12V	5.0A	60W	-	IP67
	HLG-120H-12	90-305V	12V	10.0A	120W	-	IP67
	HLG-150H-12	90-305V	12V	12.5A	150W	-	IP67
	HLG-240H-12	90-305V	12V	16.0A	192W	-	IP67
0-10V (1-10V)	PWM-40-12	90-305V	12V	3.34A	40W	100-0.15 (100-10)	IP67
	PWM-60-12	90-305V	12V	2.5A	60W	100-0.15 (100-10)	IP67
	PWM-90-12	90-305V	12V	3.67A	90W	100-0.15 (100-10)	IP67
	PWM-120-12	90-305V	12V	10.0A	120W	100-0.15 (100-10)	IP67
DALI	LIN100A1	120-277V	12V	2.08A per channel	100W	100-0.1	IP66/IP40
DMX RGB	LIN100A1	120-277V	12V	2.76A per channel	100W	100-0.1	IP66/IP40
DMX RGBW	LIN100A1	120-277A	12V	2.08A per channel	100W	100-0.1	IP66/IP40

Flicker Free Options - Combination of PSU+ sub-controller

Control Mode	PSU (Order Code)	Sub-controller (Order Code)	Input Voltage AC	Output Voltage DC	Rated Output Current	Rated Power	Dim %	IP Rating PSU/ Sub-controller
0-10V or 1-10V	HLG-80H-12	KKDM-06	90-305V	12V	5.0A	60W	100-0.9	IP67/IP20
	HLG-120H-12	KKDM-06	90-305V	12V	10.0A	120W	100-0.9	IP67/IP20
	HLG-150H-12	KKDM-06	90-305V	12V	12.5A	150W	100-0.9	IP67/IP20
	HLG-240H-12	KKDM-06	90-305V	12V	16.0A	192W	100-0.9	IP67/IP20
DALI	CEN-60-12	KKDL-02/03	90-295V	12V	2.5A	60W	100-0.1	IP67/IP20
	HLG-80H-12	KKDL-02/03	90-305V	12V	2.5A	60W	100-0.1	IP67/IP20
	HLG-120H-12	KKDL-02/03	90-305V	12V	10.0A	120W	100-0.1	IP67/IP20
	HLG-150H-12	KKDL-02/03	90-305V	12V	12.5A	150W	100-0.1	IP67/IP20
	HLG-240H-12	KKDL-02/03	90-305V	12V	16.0A	192W	100-0.1	IP67/IP20
DMX RGB	HLG-80H-12	KKSC-05	90-295V	12V	5.0A	60W	100-0.9	IP67/IP20
	HLG-120H-12	KKSC-05	90-295V	12V	10.0A	120W	100-0.9	IP67/IP20
	HLG-150H-12	KKSC-05	90-305V	12V	12.5A	150W	100-0.9	IP67/IP20
	HLG-240H-12	KKSC-05	90-305V	12V	16.0A	192W	100-0.9	IP67/IP20

¹ The items shown above cover the most frequently used specification but does not exhaust the possible options

² PSU and/or driver can be chosen from the table, or KKDC may recommend the best option upon receipt of the controls requirement and installation environment

³ Electrical shop drawing will include detailed information of PSU and relevant control drivers

⁴ Cut sheets are available on the controls section of www.kkdc.lighting or upon request